



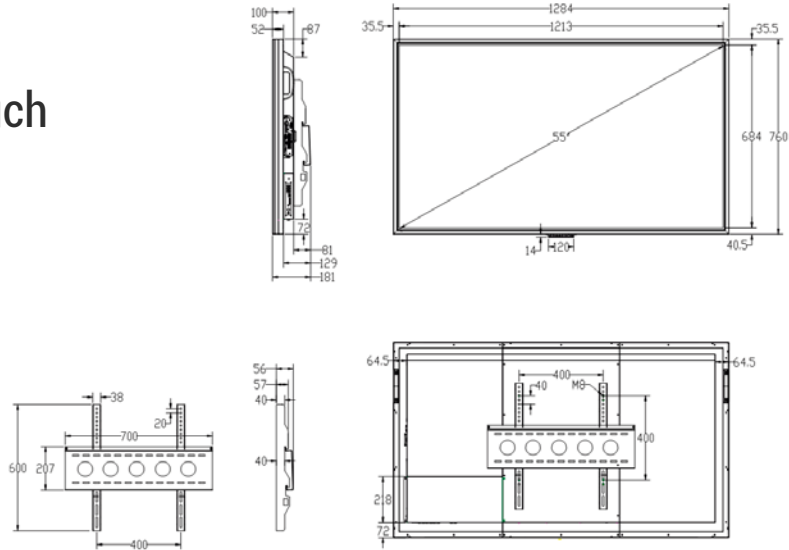
# FULL HD MULTI-TOUCH PANEL

## FEATURES

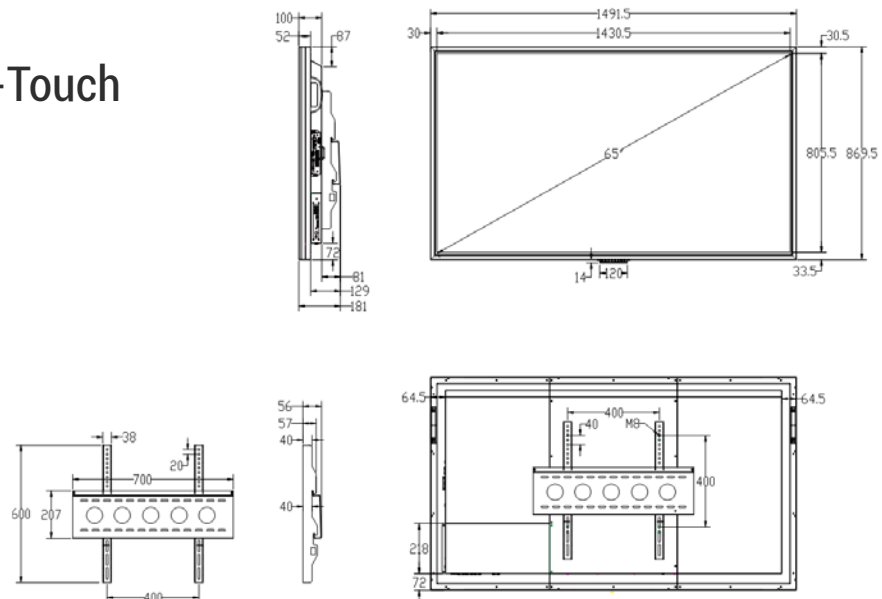
- ⚙ Full HD (1920 x 1080) Resolution Display.
- ⚙ Input & Output: 1080p.
- ⚙ Support True Finger Touch (10-Point Detection).
- ⚙ 10 Points Writing Simultaneously.
- ⚙ Anti-noise Writing Technology.
- ⚙ Fluorescent Pen.
- ⚙ Right & Left Hand Mouse Buttons.
- ⚙ Drag & Drop, Keyboard Character Recognition.
- ⚙ Handwriting Recognition.
- ⚙ Optional Built-in OPS Computer / Android System.
- ⚙ Built-in High-speed 10 Touch Sensor.
- ⚙ OS Support : Windows 10/ 8.1 / 7 / Vista / XP, Mac, Linux , ANDROID...



## 55" Multi-Touch Panel



## 65" Multi-Touch Panel





## PRODUCT SPECIFICATION

Model	55"	65"	70"
<b>PANEL</b>			
Diagonal Size	55"	65"	70"
Display Resolution	1920 X 1080 (FHD)		
Contrast Ratio	1400:1	4000:1	4000:1
Response Time	6ms (GTG)	4ms (GTG)	4ms (GTG)
Brightness (Average)	350 cd/m <sup>2</sup>	400 cd/m <sup>2</sup>	350 cd/m <sup>2</sup>
Viewing Angle	H: 176° / V:176° (CR>=10)		
Operating Temperature	0°C - 40°C, 10% - 90% RH, without condensation		
Storage Temperature	-20°C - 60°C, 10% - 95% RH, without condensation		
<b>SIGNAL CONNECTIVITY</b>			
PC Connector	VGA x 1; HDMI x 2 (FHD)		
HDMI Input	1920 x 1080p		
Other Connector	YPbPr In x 1, AV in x 1, AV out x 1		
Control System	Build-in Android (M638)		
<b>ELECTRICAL</b>			
Power Supply	Input 100 – 240V AC, 50/60 Hz		
Power Consumption	140W	260W	160W
Speakers	2 x 10W Stereo (8-ohms)		
<b>MECHANICAL</b>			
System Dimensions (mm)	1284(L) x 760 (H) x 100 (D)	1491.5 (L) x 869.5 (H) x 100 (D)	1641(L) x 963 (H) x 100 (D)
Box Dimensions (mm)	1450 (L) x 900 (H) x 230 (D)	1700 (L) x 1070 (H) x 280 (D)	1770 (L) x 1100(H) x 300 (D)
Weight	45 KG	66.4 KG	68 KG
VESA Mount	400 x 400	400 x 400	400 x 400
<b>OSD FUNCTIONS</b>			
OSD Control Function	Touchable OSD (On-Screen Display) / IR Remote Control		
<b>INCLUDED ACCESSORIES</b>			
Remote Control	1		
Installation Guideline	1		
IWB Software	1		
HDMI Cable	1		
Stylus	2		
Wall Mount	1		
<b>OPTIONAL ITEMS</b>			
Computer OPS: Intel i5/i7, RS 232C			